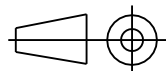
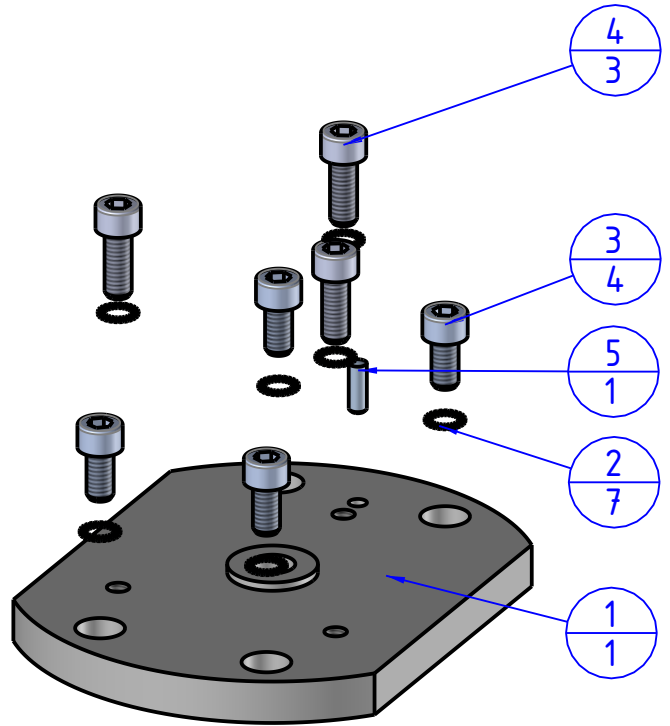
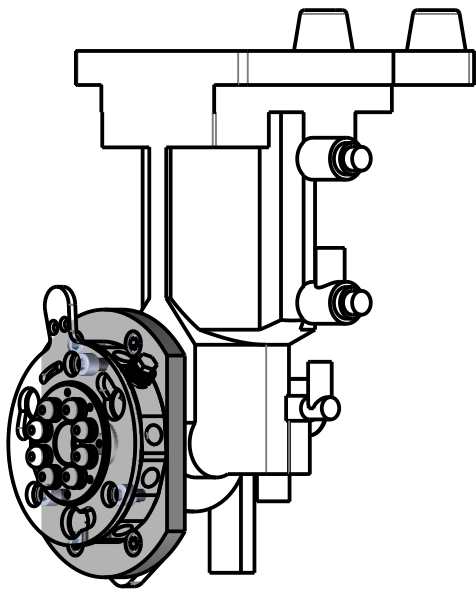
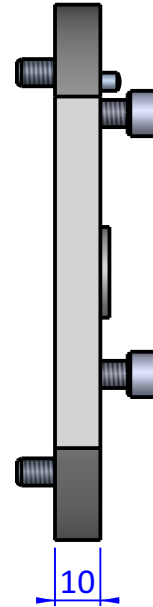
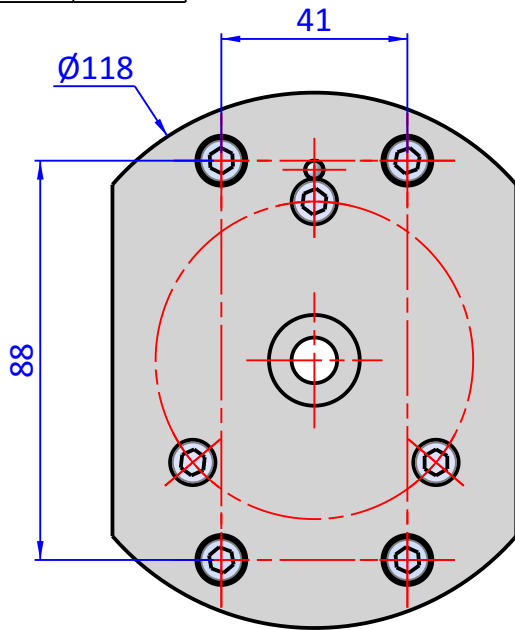


THE PROPERTY OF THE DRAWING IS ESTABLISHED BY LAW. IT IS FORBIDDEN TO PRODUCE OR SHOW IT TO THIRD PART. WITHOUT A WRITTEN AGREEMENT.

Item	Name	Q.ty
1	CU.90.IW	1
2	R.6.SCH	7
3	V.TCE6x12	4
4	V.TCE6x16	3
5	SP.4x12M6	1



DESIGNED FROM	REVIEW
FPS Automation	A

DATE	WEIGHT
16/02/2026	0,269kg

CODE
CA.CU.90.IW

Format	A4
UNI 936-76	

GENERAL TOLERANCE
UNI - ISO 2768
CLASSE f

DESCRIPTION
CA.CU.90.IW